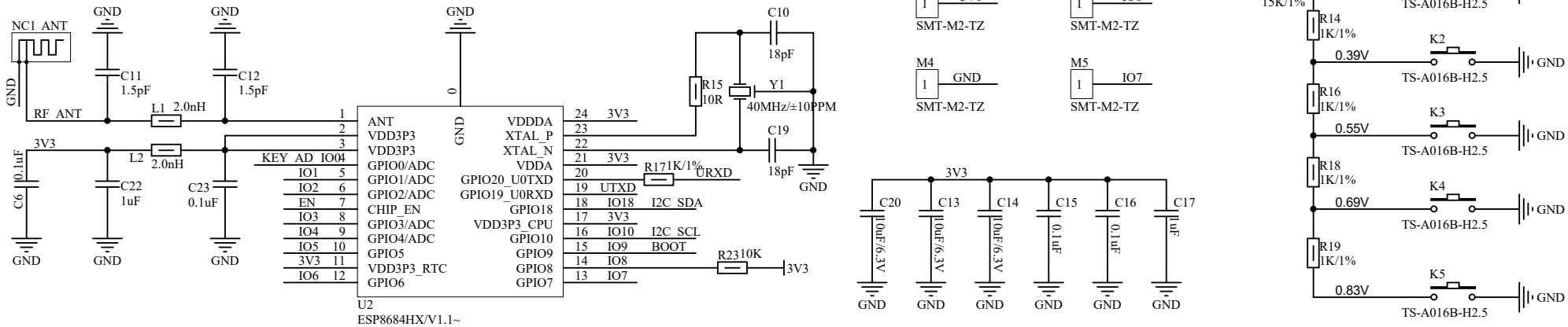


A

B

A

B

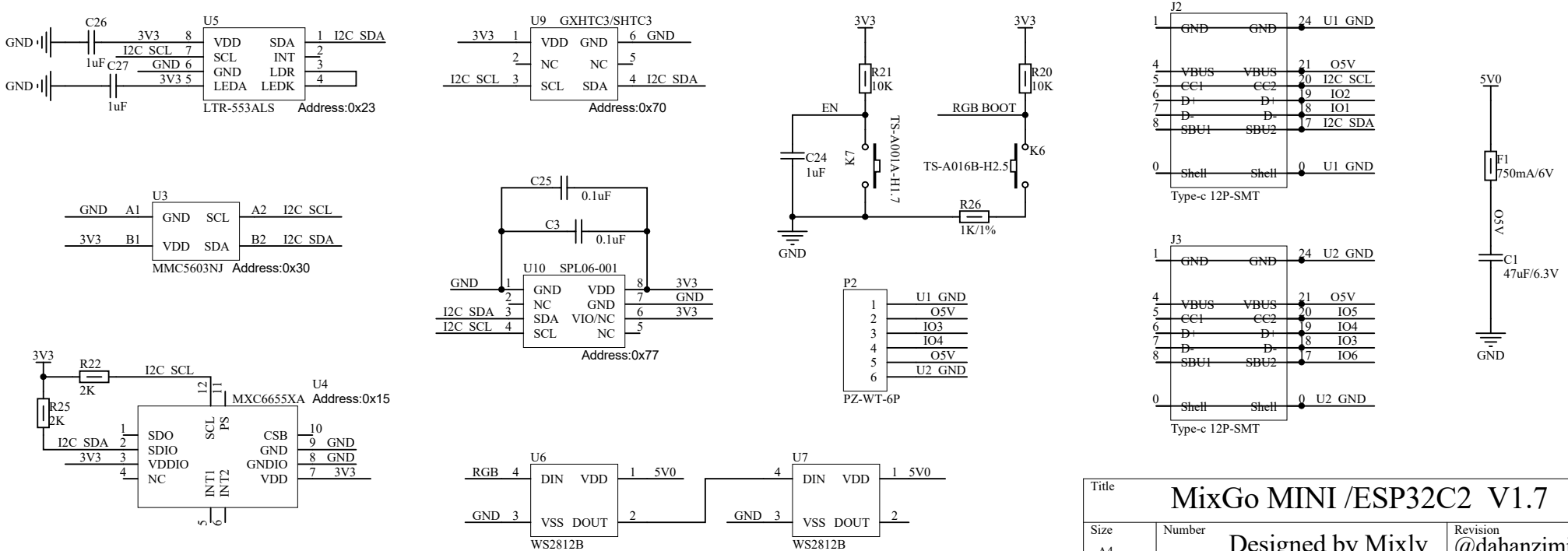


C

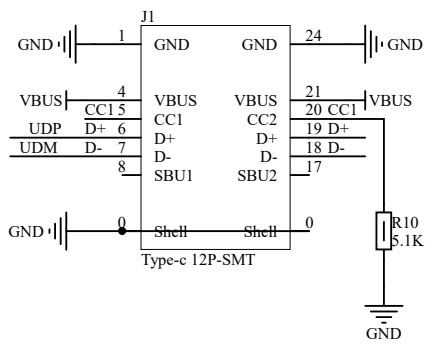
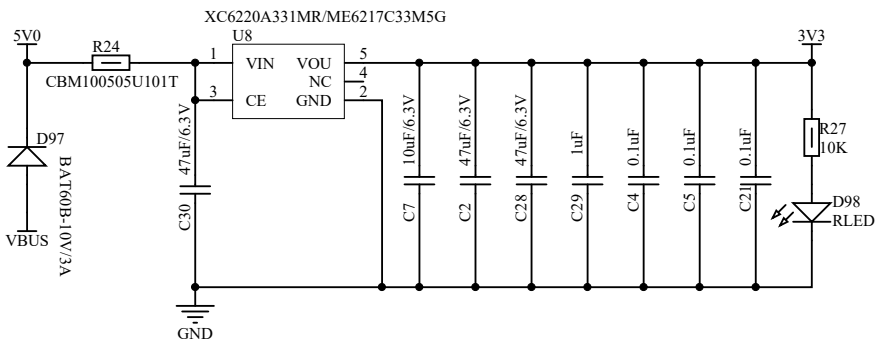
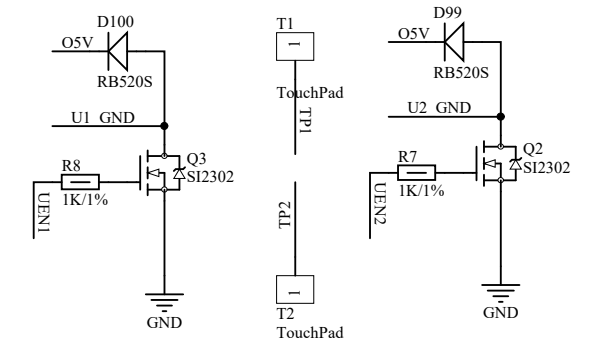
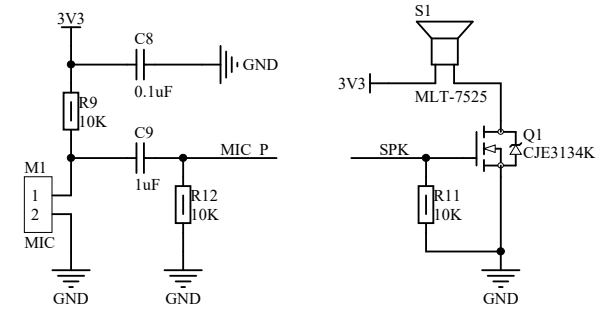
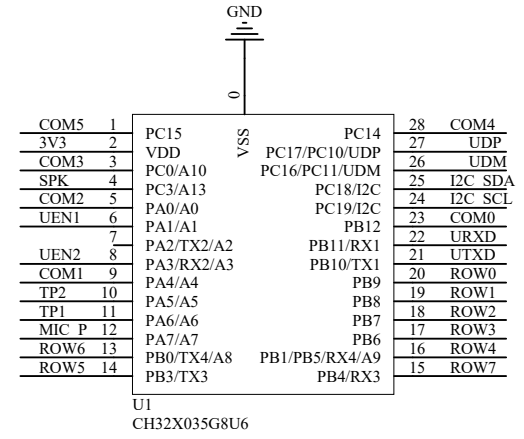
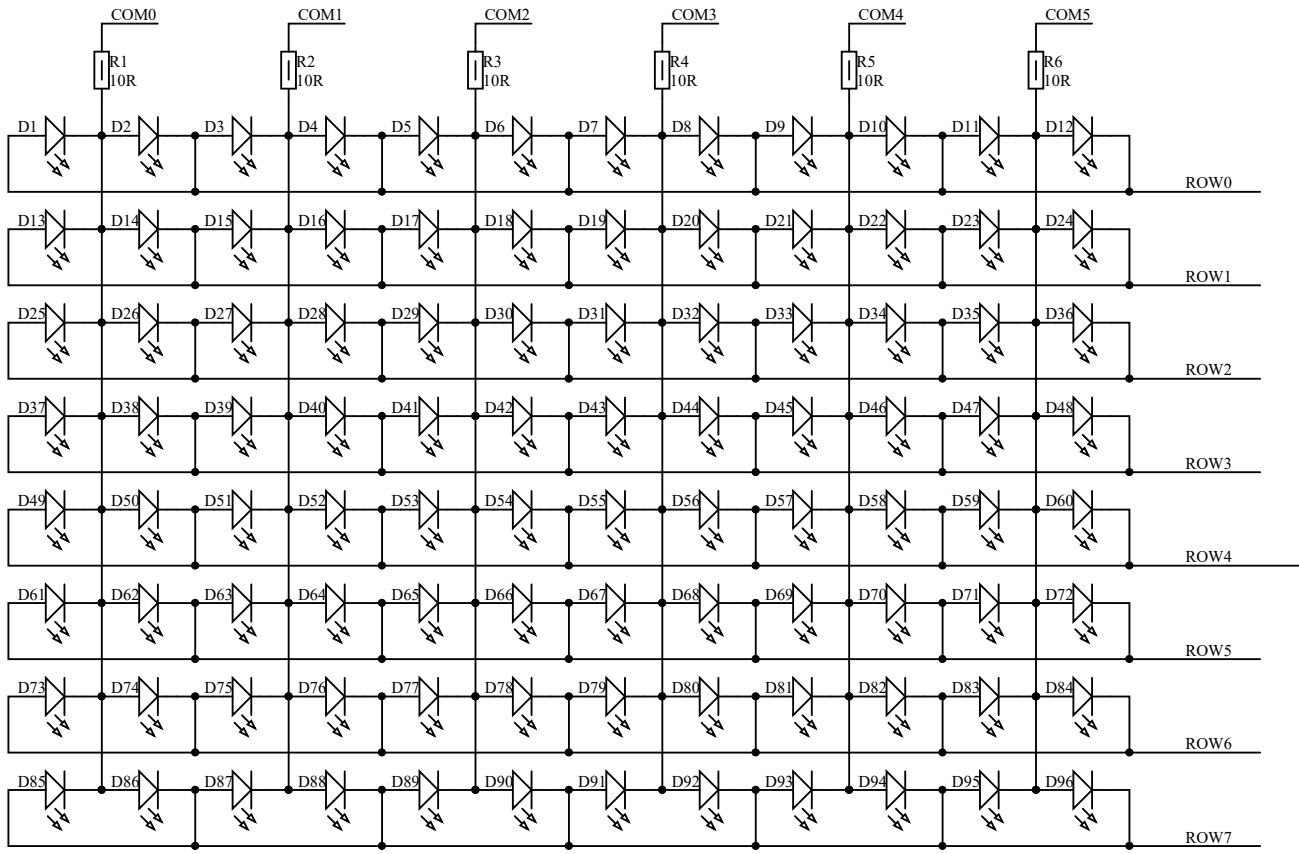
D

C

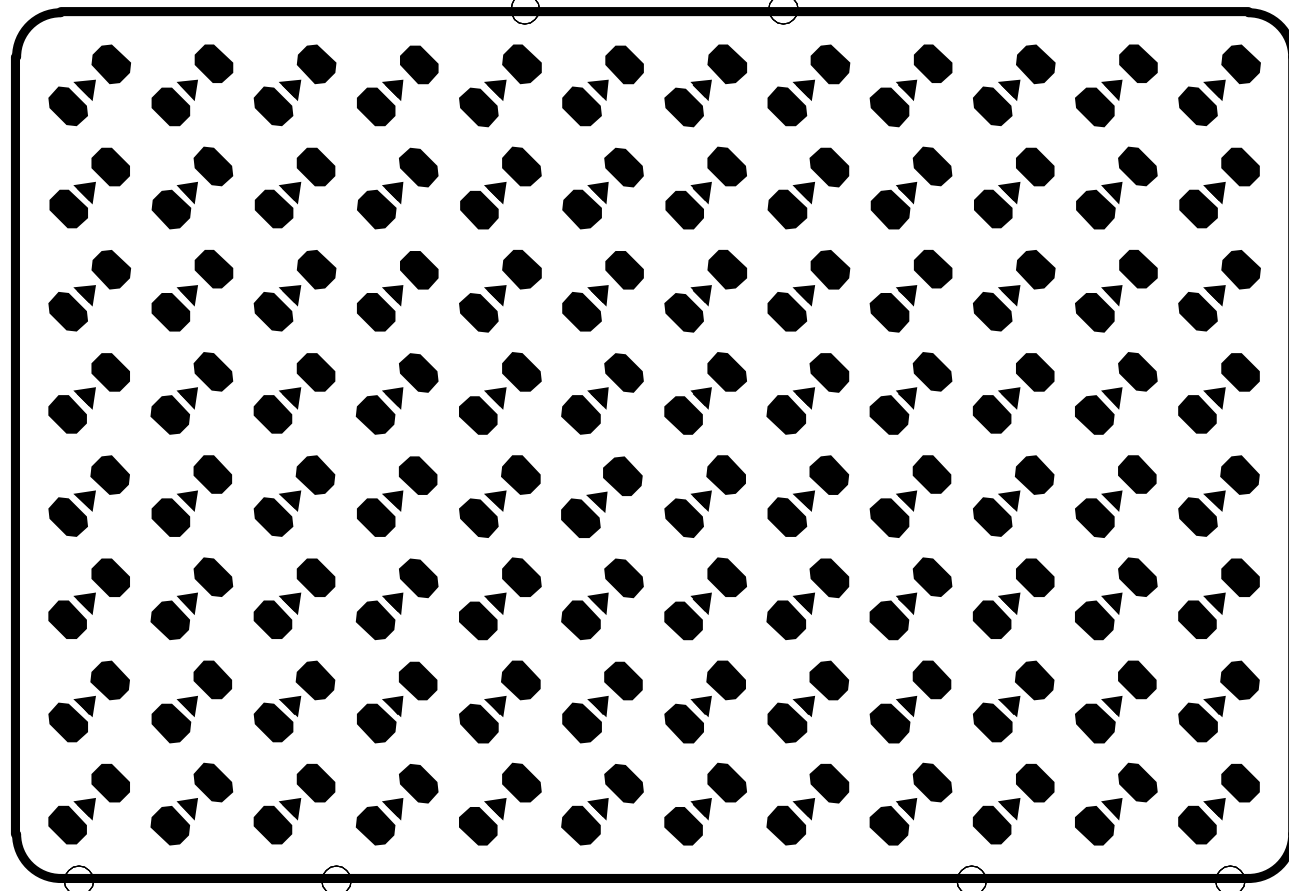
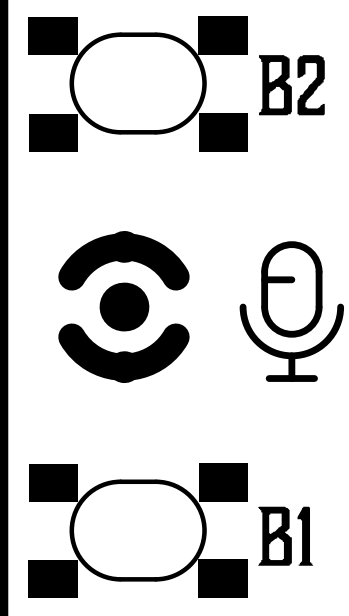
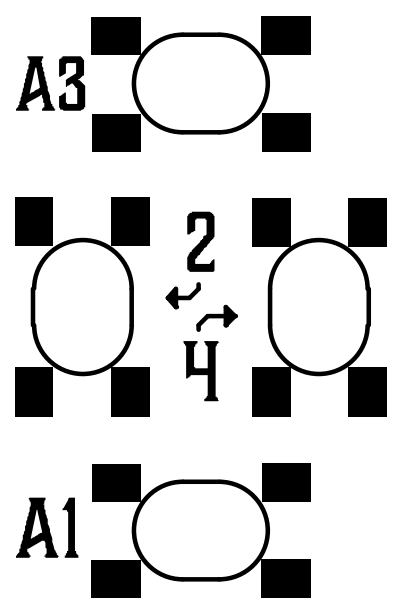
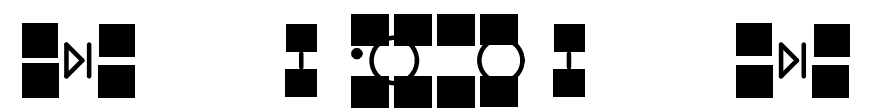
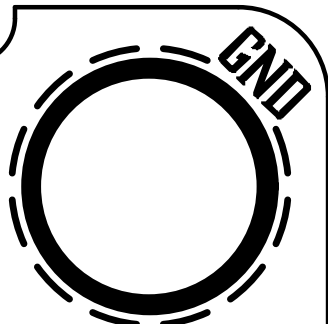
D



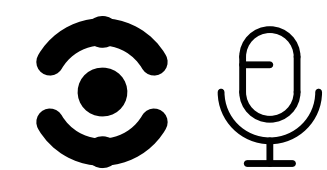
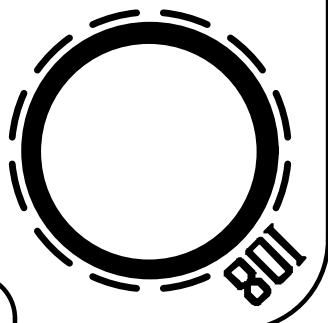
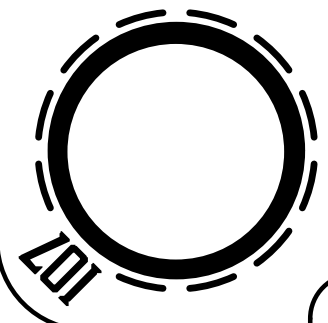
Title			<b>MixGo MINI /ESP32C2 V1.7</b>		
Size	Number	Designed by Mixly		Revision	
A4				@dahanzimin	
Date:	2024/9/12	Sheet of			
File:	D:\...\MixGo MINI_C2-V1.7.SchDoc	Drawn By:			



Title			<b>MixGo MINI /CH32X V1.7</b>		
Size	Number	Designed by Mixly		Revision	@dahanzimin
A4					
Date:	2024/9/12	Sheet of			
File:	D:\...\MixGo MINI-CH-V1.7.SchDoc	Drawn By:			



$T_0$  - TOUCH +  $T_1$



# MIXGO MINI V1.7

## 元控奋斗版

